



MIX

FEEDING EQUIPMENT



MIXER WAGON [EXTERNAL LOADER]



© AdobeStock - Countrypixe



© AdobeStock - Dusan Kosic



© AdobeStock - Hirono Smakowski



MADE
FOR ME



© AdobeStock - apoduz



© AdobeStock - apoduz



© AdobeStock - JENOCHE



© AdobeStock - JENOCHE



© AdobeStock - jalmatica



© AdobeStock - speed200

THE STORY



MADE FOR ME

[FRANK'S CHALLENGE]

Operating with 150 dairy cows and 100 bulls, my base feed and other feed components vary greatly. I need to be able to rely on mixing equipment that is a perfect fit for me and my requirements on site. A task of truly "large" proportions: My newly constructed building can accommodate any mixer wagon, but my existing lower barns can not.

Is there a solution MADE FOR ME?

[OUR SOLUTION]

Great in every detail and as large as it needs to be: Our mixer wagons of the V-MIX series will adapt to any requirement you can throw at it. Taller, wider, deeper or narrower.

Tell us what you need, and we will offer you a solution that will fit your needs perfectly.

Our extensive product range and the countless equipment options makes it a breeze for us to prepare a solution that it is tailored to your own specific requirements.

We always do so without cutting any corners – especially when it comes to the mixing quality.

Let us know what you need to mix, and we will take care of it. Whether it be long-fibered, short-cut, dry or wet feed or whether you work with bales, solid silage or other types of material.

We have the necessary know-how: The perfect mix for your animals!

Our goal is to help you boost your efficiency... !



THIS SOLUTION IS SPECIALLY MADE FOR FRANK!



We have made Frank's challenge our own.

This is the principle that drives at BvL: We work in close cooperation with farmers around the world in a bid to constantly improve and customize our modular feeding equipment to individual requirements. This personal collaboration and exchange allows us to develop versatile machinery solutions that match the goals, the animal stock, the feed mixes, the barn configurations and the machinery pools found in agriculture perfectly – solutions that are sustainable and future-proof.

FOR FARMERS LIKE FRANK. FOR FARMERS LIKE YOU.

We will find the solution that fits you best as well.

Serving as the foundation for your solution is our versatile V-MIX series with its external loaders and self-loaders as well as its self-propelled and stationary mixers – all of which have been tried and tested and constantly optimized for decades. The centerpiece of this solution is its customization: We will team up with you to analyze your requirements and configure a mixer wagon that fits your needs to a T. Our standard is to make your work easier and more efficient – with a customized solution of which you can safely say:

BvL CRAFTED THIS ESPECIALLY FOR ME.

Discover
MORE STORIES
shared by farmers like you!



OUR DAILY MISSION – THE BEST SUPPORT FOR YOUR BUSINESS

You work hard every day to produce the best food possible.

Monday, Tuesday, Wednesday, rain or shine, Thursday, Friday, summer or winter, Saturday, Sunday, from dusk till dawn – you do your utmost day in and day out to guarantee premium foods and healthy animals. You need a partner that is as hands-on as you are and thinks and feels like you do. You need a partner like BvL.

We work for you every day!

We are a family-owned-and-operated company and have been working for and with farming businesses around the world since 1860. Over the course of more than 160 years, generations of bright minds have done groundbreaking work for the industry and turned BvL into a leading partner for highly advanced feeding equipment and bedding technology.

We are familiar with the challenges and developments of the industry – and always stay a few steps ahead of them to preserve our ability to make animal husbandry and farming simpler, safer and more efficient. The tremendous trust many farmers place in our solutions gives us a sense of responsibility and the drive to do our best every day.

[**MADE IN
GERMANY**]

since
[**1860**]

Made in Germany

Engineering and producing at our home site in Emsbüren in the Emsland region, we can rely on a great level of vertical integration and a staff of our own experienced employees. The modular and customizable configuration is part of the concept we have devised to deliver powerful and made-to-order products that are on the cutting edge and at your side every day.

Our objective: Farming that is safe for man and animal alike.

Made for the future

We live and breathe sustainability on all levels: We always act with reason in matters of business and the environment – with long-lasting and energy-efficient equipment that helps conserve resources. Employing networked technology, we rely on smart digital management systems that are capable of protecting base feed stocks and guaranteeing safety.

Our objective: Sustainable handling of resources and the environment.

**WE ARE BvL.
INNOVATION. EXPERIENCE. STRENGTH.**



[1860]

Founding as a blacksmith's and cartwright's workshop in Emsbüren

[1978]

Manufacture of the first vertical mixer



[V-MIX EXTERNAL LOADER]

THE TRAILED AND HIGHLY VERSATILE MIXER WAGON



Wide selection of mixers for all types of applications

Every business has their own specific herd structure. What is more, no farmyard gate and no barn alley is like the other. To find the best solution for your feedings, you can pick your mixer wagon from an exhaustive selection of base models.

Heart and hull as required

One fundamental feature that sets apart the different sizes is the number of augers that create the perfect mixture on the inside of the wagon. What is more, the mixing vessels can be built with a slimmer or flatter design – just as needed.

[45]

Basic types

All mixer wagons made by BvL are equipped to mix tremendous amounts of feed thanks to their remarkable volume utilization and deliver the feed in the tightest of spaces.

One of a kind in terms of both size and equipment

[37]

Versions

The mixer wagons of the V-MIX series boast a capacity between 3.5 m³ and 46 m³. Thanks to the wide variety of equipment options, ranging from the V-MIX Agilo to the V-MIX Giant, all mixer wagons can be customized to satisfy your individual requirements.

[1,665]

Combinations

V-MIX AT A GLANCE



V-MIX AGILO
3,5 AND 5-1S

SINGLE-AUGER MIXER



V-MIX AGILO
10 TO 14-2S

TWO-AUGER MIXER



V-MIX PLUS
6,5 TO 14-1S

SINGLE-AUGER MIXER



V-MIX PLUS T
6,5 TO 12-1S

SINGLE-AUGER MIXER



V-MIX PLUS
13 TO 24H-2S

TWO-AUGER MIXER



V-MIX PLUS
18 TO 30-2S

TWO-AUGER MIXER



V-MIX PLUS
25 TO 40-3S

TRIPLE-AUGER MIXER



V-MIX GIANT
40 AND 46-3S

TRIPLE-AUGER MIXER

V-MIX AGILO 3,5 AND 5-1S / V-MIX AGILO 10 TO 14-2S

SINGLE-AUGER MIXER / TWO-AUGER MIXER



Compact, yet fully featured mixer wagon that supports all equipment options

Small and maneuverable – these are the distinguishing features of our smallest trailed mixer wagon, the V-MIX Agilo. Combining a capacity of 3.5 m³ to 14 m³ with a compact

form factor, this mixer wagon will fit into any barn and reduce your workload tremendously. As an added bonus, this mixer wagon can also be equipped with a conveyor belt.

YOUR DATA



Quantity animals:

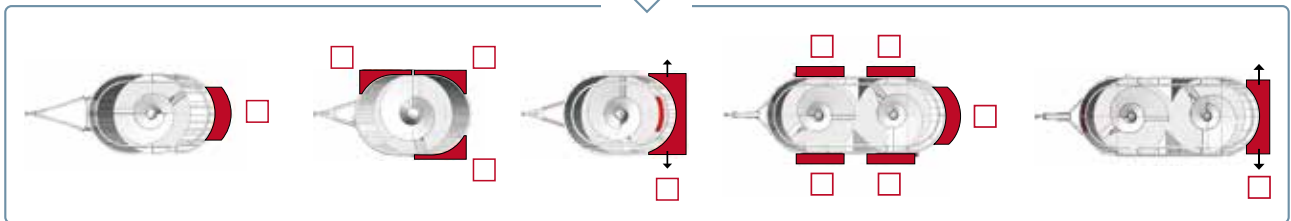
Maximum width:

Maximum height:

Discharge height:

Tractor output:

SELECT YOUR MATCHING DOOR



THE AVAILABLE OPTIONS



	Number of cows*	Capacity	Overall width with one side door	Overall width with two side doors	Overall width mixing hopper	Overall length	Overall height	Unladen weight	Max. payload	Power requirement
		m ³	mm	mm	mm	mm	mm	kg	kg	kW/HP
<input type="checkbox"/> 3.5-1S	21-26	3.7	1950	1950	1860	3470	1925	1500	1470	30/40
<input type="checkbox"/> 5-1S	27-31	5.1	1950	1950	1860	3560	2275	1650	2075	35/47
<input type="checkbox"/> 10-2S	64-72	10,3	1960	2070	1860	5900	2390	3800	3000	50/67
<input type="checkbox"/> 12-2S	92-104	12,5	1960	2070	1860	5970	2640	3950	3600	54/73
<input type="checkbox"/> 14-2S	105-125	14,1	1960	2070	1860	6040	2890	4100	4200	59/81

All specified technical data refers to the standard version.

* Actual values may vary. Load values based on an average TMR. If dry matter concentrations differ significantly, these values will change (based on one feeding per day; quantity based on the size of the group).



Additional information:

V-MIX PLUS 6.5 TO 14-1S

SINGLE-AUGER MIXER



Versatile single-auger mixer wagon

One mixing auger – a host of application options:
Our single-auger mixer wagon is available in sizes from 6.5 to 14 m³. Depending on the selected size option, it can be used for herd sizes of 31 to roughly 125 cows. Its "modular

design" allows you to create a mixer wagon with perfect ease until you find the one that fits the needs of your agricultural enterprise best.

YOUR DATA



Quantity animals:

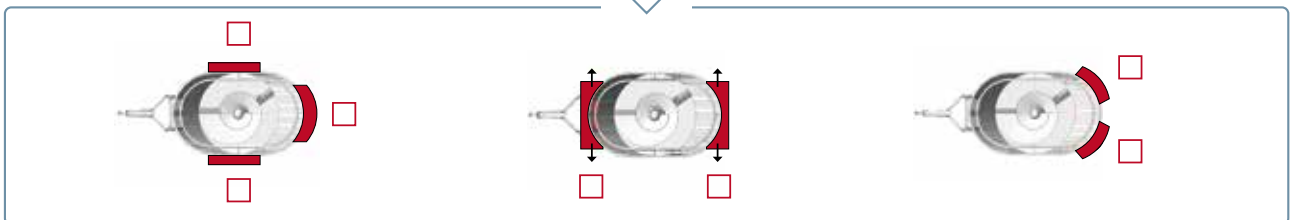
Maximum width:

Maximum height:

Discharge height:

Tractor output:

SELECT YOUR MATCHING DOOR



THE AVAILABLE OPTIONS



	Number of cows*	Capacity	Overall width with one side door	Overall width with two side doors	Overall width mixing hopper	Overall length	Overall height	Unladen weight	Max. payload	Power requirement (with reduction gear)
		m ³	mm	mm	mm	mm	mm	kg	kg	kW/HP
<input type="checkbox"/> 6.5-1S	31-41	6.3	2130	2260	2050	4450	2420	2750	2730	36/49 (27/37)
<input type="checkbox"/> 8-1S	48-55	7.6	2130	2260	2050	4700	2700	2950	3360	41/56 (29/40)
<input type="checkbox"/> 10H-1S	61-69	9.1	2130	2260	2050	5030	3000	3500	4200	50/68 (36/49)
<input type="checkbox"/> 9-1S	57-65	8.6	2390	2485	2270	4520	2600	3700	3780	41/56 (29/40)
<input type="checkbox"/> 11-1S	74-85	11.0	2390	2485	2270	4600	2975	4100	4620	54/73 (38/51)
<input type="checkbox"/> 10N-1S	64-72	9.9	2470	2600	2370	5100	2680	3800	4200	50/68 (36/49)
<input type="checkbox"/> 12-1S	92-104	12.1	2470	2600	2370	5500	3000	4200	5460	54/73 (38/51)
<input type="checkbox"/> 14-1S	105-125	14.2	2530	2700	2450	5650	3160	4450	6050	60/82 (42/57)

All specified technical data refers to the standard version.

* Actual values may vary. Load values based on an average TMR. If dry matter concentrations differ significantly, these values will change (based on one feeding per day; quantity based on the size of the group).



Additional information:

V-MIX PLUS T 6.5 TO 12-1S

SINGLE-AUGER MIXER



Height-reduced mixer wagon for low-clearance passageways

Lowered in height – also an option at BvL: The V-MIX Plus T is distinguished by an extremely low overall height (starting at 2.15 m), which is made possible by positioning the mixing vessel between axle and drawbar. This feature makes this mix-

er wagon especially well-suited for low door entries – and allows for combination with a loading vehicle that has a low loading height.

YOUR DATA



Quantity animals:

Maximum width:

Maximum height:

Discharge height:

Tractor output:

SELECT YOUR MATCHING DOOR



THE AVAILABLE OPTIONS



	Number of cows*	Capacity	Overall width with one side door	Overall width with two side doors	Overall width mixing hopper	Overall length	Overall height as supplied	min. overall height (adjustable)	Unladen weight	Max. payload	Power requirement (with reduction gear)
		m ³	mm	mm	mm	mm	mm	mm	kg	kg	kW/HP
<input type="checkbox"/> 6.5-1ST	36-41	6.3	2130	2260	2050	5080	2250	2150	3130	2730	36/49 (27/37)
<input type="checkbox"/> 8-1ST	48-55	7.6	2130	2260	2050	5080	2470	2370	3330	3360	41/56 (29/40)
<input type="checkbox"/> 9-1ST	57-65	8.6	2390	2485	2270	5290	2360	2260	3950	3780	41/56 (29/40)
<input type="checkbox"/> 10H-1ST	61-69	9.1	2130	2260	2050	5200	2770	2670	3750	4200	41/56 (29/40)
<input type="checkbox"/> 10N-1ST	64-69	9.9	2470	2600	2370	5520	2450	2350	4050	4200	50/68 (36/49)
<input type="checkbox"/> 11-1ST	74-85	11.0	2390	2485	2270	5400	2750	2650	4250	4620	54/73 (38/51)
<input type="checkbox"/> 12-1ST	92-104	12.1	2470	2600	2370	5620	2780	2680	4500	5348	54/73 (38/51)

All specified technical data refers to the standard version.

* Actual values may vary. Load values based on an average TMR. If dry matter concentrations differ significantly, these values will change (based on one feeding per day; quantity based on the size of the group).



Additional information:

V-MIX PLUS 13 TO 24H-2S

TWO-AUGER MIXER



Compact mixer wagon with two mixing augers

Mixing large quantities of feed and delivering them even in narrow feed passages – this ability sets our two-auger mixers apart. Delivering capacities of 13 to 24 m³, they are marked

by their compact design – large-volume wonders with exceptional volume utilization. This mixer wagon is ideal for feeding herds with a headcount of approx. 180 cows or more.

YOUR DATA



Quantity animals:

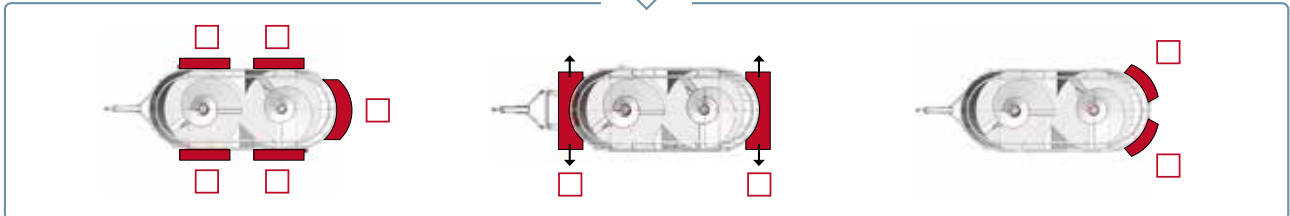
Maximum width:

Maximum height:

Discharge height:

Tractor output:

SELECT YOUR MATCHING DOOR



THE AVAILABLE OPTIONS



	Number of cows*	Capacity	Overall width with one side door	Overall width with two side doors	Overall width mixing hopper	Overall length	Overall height	Unladen weight	Max. payload	Power requirement (with reduction gear)
		m ³	mm	mm	mm	mm	mm	kg	kg	kW/HP
<input type="checkbox"/> 13-2S	89-101	13,6	2130	2260	2050	6400	2540	4950	5050	59/80 (44/60)
<input type="checkbox"/> 15-2S	100-114	15,5	2130	2260	2050	6710	2790	5350	6300	66/90 (50/68)
<input type="checkbox"/> 17-2S	110-131	17,3	2130	2260	2050	6790	2990	5550	7140	75/100 (55/75)
<input type="checkbox"/> 15N-2S	98-111	15,5	2355	2485	2270	6670	2450	6050	6300	66/90 (50/68)
<input type="checkbox"/> 17N-2S	111-126	17,1	2355	2485	2270	6710	2600	6380	7140	75/100 (55/75)
<input type="checkbox"/> 20H-2S	133-155	19,8	2355	2485	2270	6780	2790	6600	8400	81/110 (62/85)
<input type="checkbox"/> 22H-2S	145-170	21,5	2355	2485	2270	6790	3000	6800	9240	84/114 (64/87)
<input type="checkbox"/> 24H-2S	166-183	23,2	2355	2485	2270	6800	3150	7000	9832	86/116 (66/90)

All specified technical data refers to the standard version.

* Actual values may vary. Load values based on an average TMR. If dry matter concentrations differ significantly, these values will change (based on one feeding per day; quantity based on the size of the group).



Additional information:

V-MIX PLUS 18 TO 30-2S

TWO-AUGER MIXER



Two-auger mixer wagons with a large volume

An even greater volume can be achieved with the second category of two-auger mixers, which, nonetheless, is also exceptionally maneuverable thanks to its compact design and

thus provides for an expedient feeding process. Designed to be equipped with all options and variants, this mixer is the perfect solution for the daily feedings of your herd.

YOUR DATA



Quantity animals:

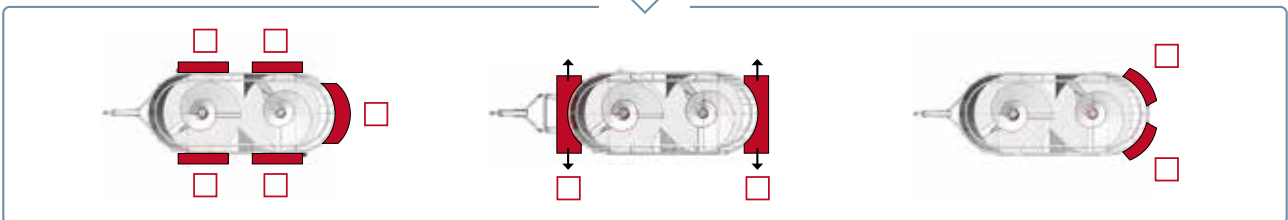
Maximum width:

Maximum height:

Discharge height:

Tractor output:

SELECT YOUR MATCHING DOOR



THE AVAILABLE OPTIONS



	Number of cows*	Capacity	Overall width with one side door	Overall width with two side doors	Overall width mixing hopper	Overall length	Overall height	Unladen weight	Max. payload	power requirement (with reduction gear)
		m ³	mm	mm	mm	mm	mm	kg	kg	kW/HP
<input type="checkbox"/> 18-2S	109-124	17.4	2470	2600	2370	7050	2500	6750	7560	77/105 (59/81)
<input type="checkbox"/> 20-2S	131-148	19.7	2470	2600	2370	7200	2690	6900	8400	81/110 (62/85)
<input type="checkbox"/> 22-2S	146-166	21.5	2470	2600	2370	7300	2840	7050	9240	83/113 (64/88)
<input type="checkbox"/> 24-2S	171-194	23.6	2470	2600	2370	7450	3030	7200	9632	86/116 (66/90)
<input type="checkbox"/> 27-2S	185-210	26.2	2470	2600	2370	7450	3280	8410	10090	-/- (70/95)
<input type="checkbox"/> 28-2S	191-216	27.6	2530	2700	2470	7700	3400	9350	11760	-/- (75/102)
<input type="checkbox"/> 30-2S	203-231	29.5	2530	2700	2470	7800	3540	9500	12600	-/- (83/112)

All specified technical data refers to the standard version.

* Actual values may vary. Load values based on an average TMR. If dry matter concentrations differ significantly, these values will change (based on one feeding per day; quantity based on the size of the group).



Additional information:

V-MIX PLUS 25 TO 40-3S

TRIPLE-AUGER MIXER



Mixing feed on a large scale with three augers

Need to handle large quantities of feed? Then look no further than our triple auger mixer wagons with a capacity ranging from 25 to 40 m³. Triple auger mixers can even ne-

gotiate barn entrances with a clearance of less than 3.00 m. And: The V-MIX Plus 3S offers the same advantages as its smaller siblings.

YOUR DATA

Quantity animals:

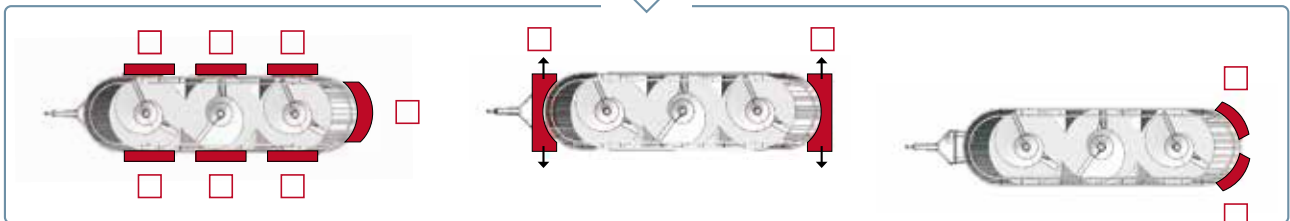
Maximum width:

Maximum height:

Discharge height:

Tractor output:

SELECT YOUR MATCHING DOOR



THE AVAILABLE OPTIONS

	Number of cows*	Capacity	Overall width with one side door	Overall width with two side doors	Overall width mixing hopper	Overall length	Overall height	Unladen weight	Max. payload	Power requirement with reduction gear
		m ³	mm	mm	mm	mm	mm	kg	kg	kW/HP
<input type="checkbox"/> 25-3S	168-191	24,9	2130	2260	2550	8495	3140	9500	9000	80/109
<input type="checkbox"/> 30H-3S	185-215	29,5	2355	2485	2270	9255	3070	10900	12600	88/120
<input type="checkbox"/> 32-3S	235-267	31,7	2355	2485	2270	9295	3210	11100	13440	94/126
<input type="checkbox"/> 35-3S	242-275	34,3	2355	2485	2270	9335	3370	11300	14700	102/139
<input type="checkbox"/> 30-3S	193-219	29,5	2470	2600	2370	9370	2930	10800	12600	88/120
<input type="checkbox"/> 33-3S	235-267	31,8	2470	2600	2370	9420	3125	11200	13860	96/130
<input type="checkbox"/> 36-3S	257-291	35,2	2470	2600	2370	9450	3230	11500	15000	102/139
<input type="checkbox"/> 40-3S	285-324	38,6	2470	2600	2370	9500	3430	12200	14300	114/155

All specified technical data refers to the standard version.

* Actual values may vary. Load values based on an average TMR. If dry matter concentrations differ significantly, these values will change (based on one feeding per day; quantity based on the size of the group).



Additional information:

V-MIX GIANT 40 AND 46-3S

TRIPLE-AUGER MIXER



The giant among BvL's mixer wagons

A fill quantity of 40 to 46 m³ – that is enough to feed approx. 400 cows. The V-MIX Giant series owes this performance to its standard BvL Powershift gearbox. This gearbox is a reduction gear with integral hydraulic clutch that allows the

operator to start the mixer wagon in a low gear and shift to maximum mixing speed under load. This reduces the required power significantly – especially during startup – and eases the load on the entire drive train to a tremendous degree.

YOUR DATA



Quantity animals:

Maximum width:

Maximum height:

Discharge height:

Tractor output:

SELECT YOUR MATCHING DOOR



THE AVAILABLE OPTIONS



	Number of cows*	Capacity	Overall width with one side door	Overall width with two side doors	Overall width mixing hopper	Overall length	Overall height	Unladen weight	Max. payload	Power requirement with BvL Powershift
		m ³	mm	mm	mm	mm	mm	kg	kg	kW/HP
<input type="checkbox"/> 40-3S	288-324	40.0	2530	2700	2470	10185	3400	13300	16800	129/175
<input type="checkbox"/> 46-3S	339-385	46.6	2530	2700	2470	10215	3755	15880	19000	144/195

All specified technical data refers to the standard version.

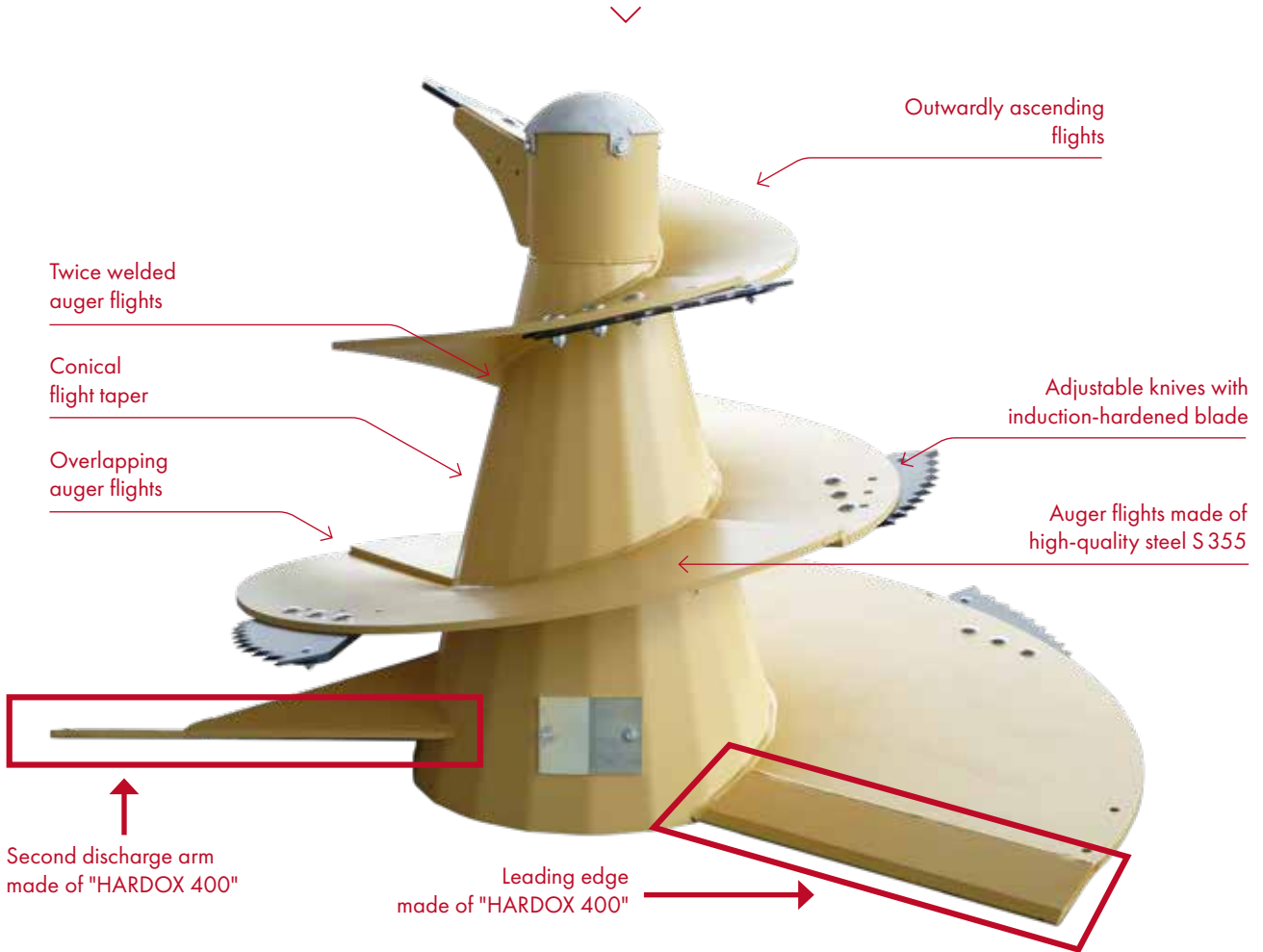
* Actual values may vary. Load values based on an average TMR. If dry matter concentrations differ significantly, these values will change (based on one feeding per day; quantity based on the size of the group).



Additional information:

[THE RIGHT MIXING AUGER]

THE HEART OF THE BvL MIXER WAGON



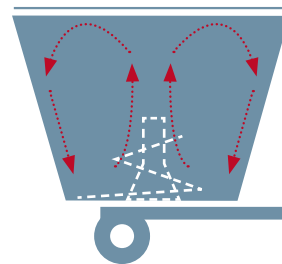
Mixing made easy

Forming the core of the mixer wagon, the mixing auger is always the main focus of our further development. In line with your specific feeding philosophy and requirements, we will outfit your mixer wagon with the type of mixing auger that is best suited to deliver a perfect mixing result. All mixing augers are marked by a mixing process that is energy-saving and gentle on the structure of the feed.

Custom-made design

Adjusting the knives is not the only way to optimally adjust the mixing auger to the various types of feed. If necessary, you can also add the following options to further optimize its performance: Hard surfacing, guide shear, different types of knives, catch magnets, and much more.

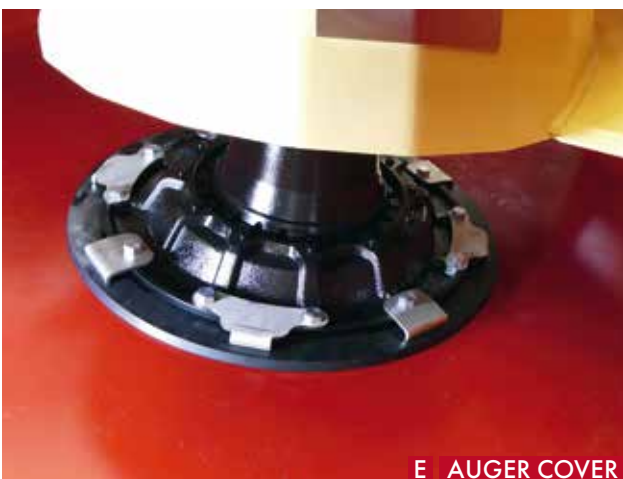
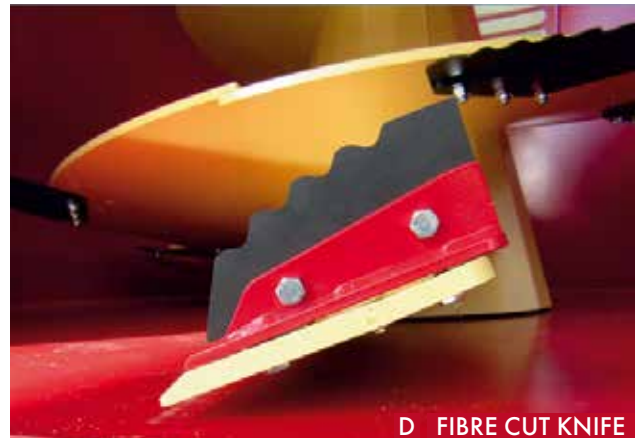
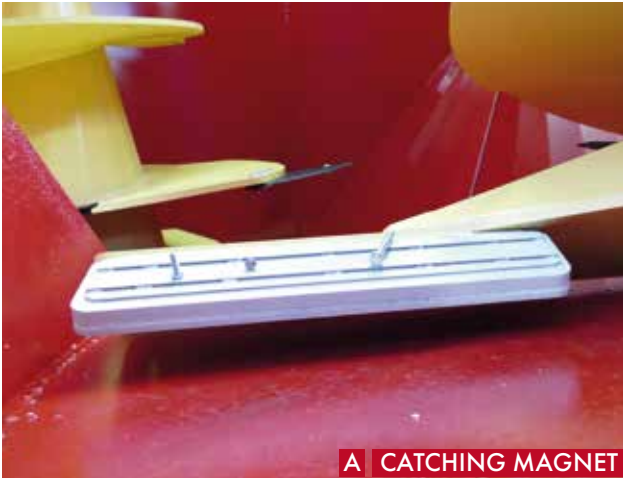
HIGH VOLUME UTILIZATION



The mixing auger is always matched perfectly with the mixing hopper. This guarantees high volume utilization at a power requirement that is as low as possible. The mixing auger is as small as possible, but as large as necessary. This helps save time and money.

MADE ESPECIALLY FOR ME.

EQUIPMENT CUSTOMIZED FOR YOUR MIXING AUGER



A CATCHING MAGNET Nails, barbed wire or other dangerous metal objects are caught by our high-strength HD neodymium magnet. **B AUGER BLADE** The auger blade helps to center the fodder. **C STAINLESS STEEL FACING** Effective mixing requires a right-angled edge on the outside of the flight. The high-quality stainless steel facing ensures a powerful upward motion and fast mixing, as well as a long service life. **D FIBRE CUT KNIFE** The patented Fibre Cut knife on the discharge arm of the amixing auger supports chops the fodder. **E AUGER COVER** The standard auger cover on the gearbox seals the interior of the mixing auger.

YOUR SELECTION OPTIONS



Catching magnet

Auger blade

V2A hard surfacing

Fibre Cut knife

Auger cover

THE AUGER OPTIONS



We will always equip your mixer wagon with the best-matching mixing auger that will allow you to achieve the best result possible. For extreme applications or use

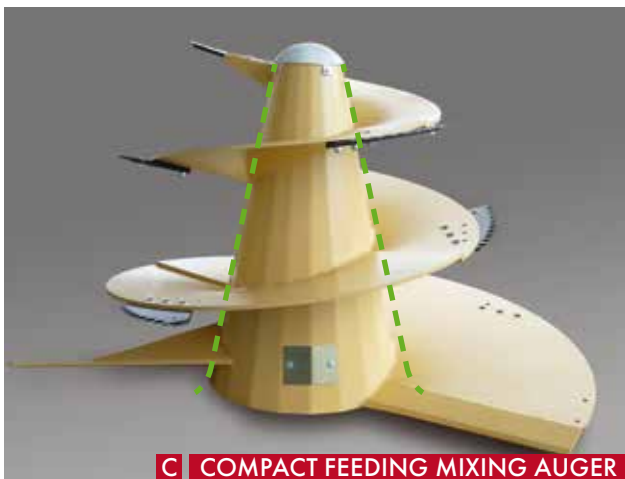
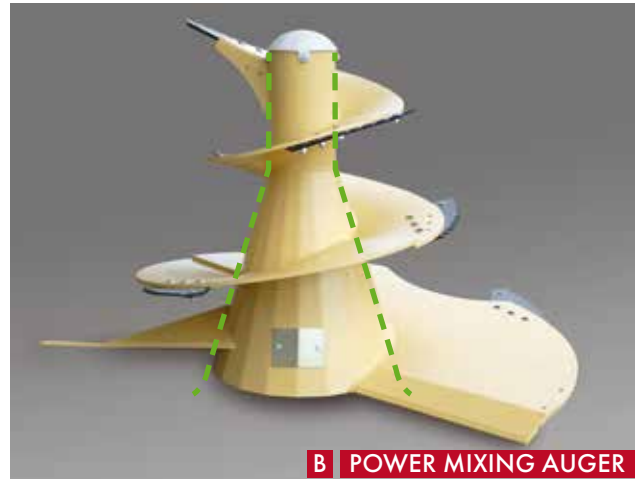
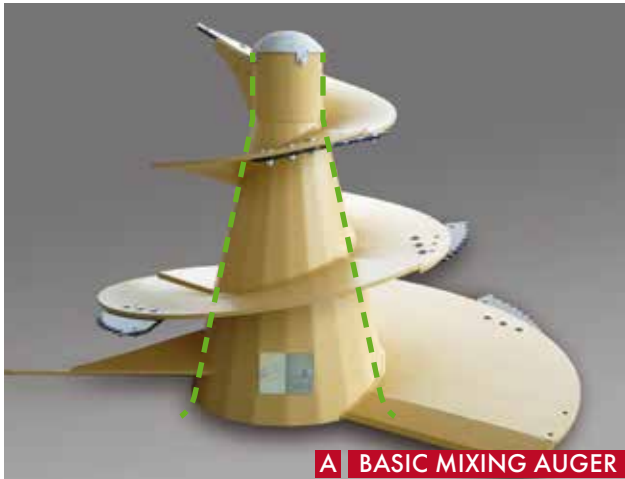
cases that are particularly demanding, we can also supply you with special, custom-designed mixing augers.

The flights and the size of the auger used in your mixer wagon will always be optimized specifically to the type of hopper built into the wagon. Only if the ratio of hopper height and mixing auger geometry is perfect will you reach mixing results of the highest order: fast, energy-saving,

[1.5 – 3.0]

Flights depending on hopper height

and gentle on the structure! All three auger options are suitable for universal use in all versions of the mixer wagon and are set apart by their characteristic, well-centered mixing process that provides for the highest feed quality possible.



A BASIC MIXING AUGER Long years of experience and continuous advancement have made the Basic mixing auger the all-rounder in our portfolio. This is the mixing auger we incorporate as the standard option and that will master most applications with flying colors. It is particularly well-suited for quickly converting normal to moist TMRs and round bales into a homogeneous mixture. **B POWER MIXING AUGER** If the mixed ration is particularly dry and long-fibered, the special notch in the Power mixing auger will provide for an even swifter flow of material. This "TS Cracker" allows the feed to drop down with even greater efficiency. The Power mixing auger is equally ideal for feeding round bales. **C COMPACT FEEDING MIXING AUGER** The Compact Feeding mixing auger comes into play whenever feed preparation involves a water-heavy mixture or free-flowing material. The wide flights of this mixing auger transport the feed to the top with great power and provide for an optimum mix.

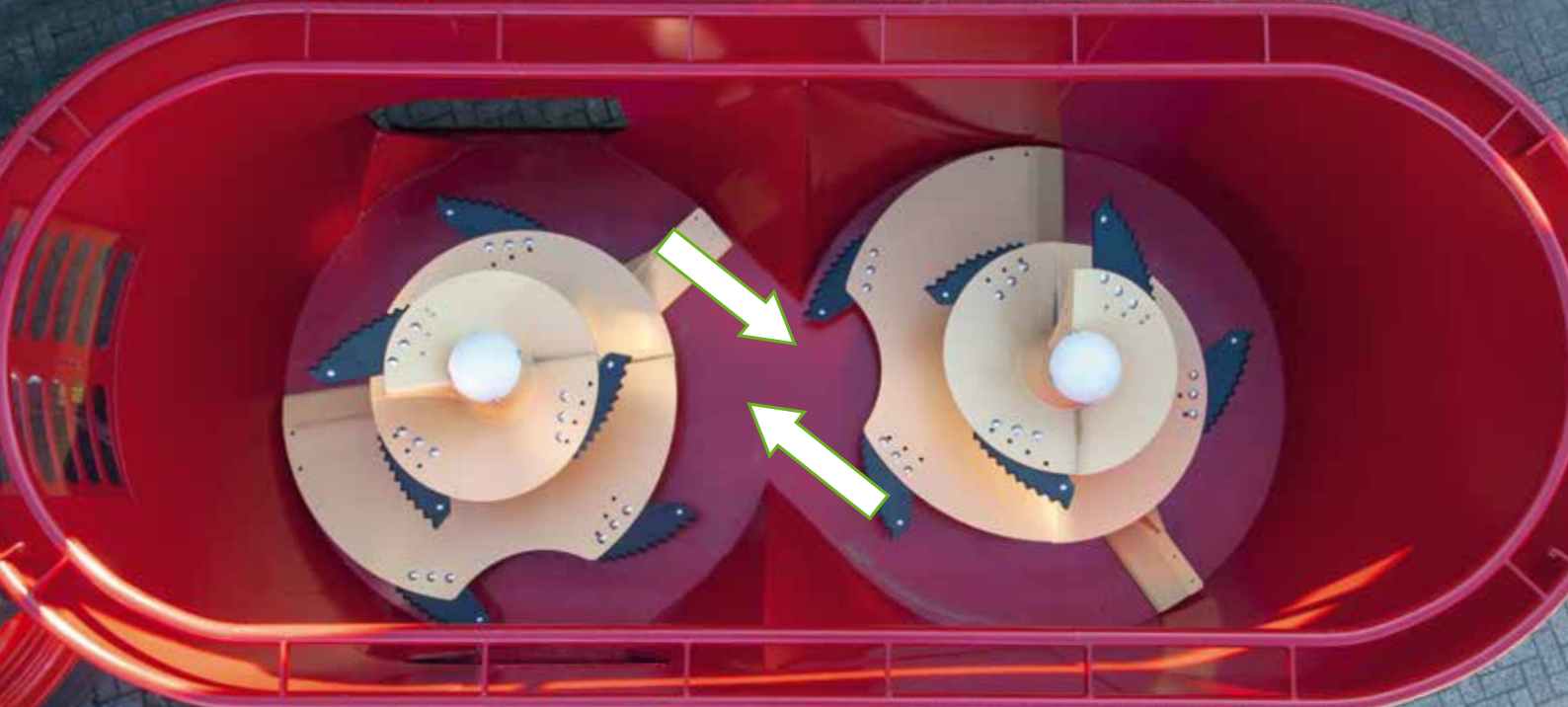
YOUR SELECTION OPTIONS



Basic mixing auger

Power mixing auger

Compact Feeding mixing auger



[THE OPTIMUM MIXING CHAMBER]

FEED PERFECTLY BLENDED FOR YOUR ANIMALS



The right mix

A feed mixture of high quality forms an elementary basis for the well-being and the performance of your animals. Your animals will thank you for the effort you invest in this area with a higher feed intake and greater performance. Only if you use excellent mixing tools and match them with the right mixing augers will you be able to produce feed mixes of high quality.

The mixing process

The asymmetrically arranged mixing wedges in the mixing hopper of mixer wagons that are equipped with two or three mixing augers provide for an ideal exchange of feed between the individual mixing chambers. This arrangement combines an optimized flow of material with a high degree of volume utilization and a lower power requirement.

Rolled container walls

Since they have been rolled, the container walls do not present an obstacle to the mixing process. They thus provide for a smooth and swift mixing process, causing minimum wear on the material. You can choose the degree to which you wish the feed to be cut by adjusting the knives found on the mixing auger and the counter blade inside the hopper.

V-CONNECT MIXER CONTROL



“Time is money”: The Mixer Control allows you to stay firmly in control of many things that are going on in your mixer wagon. Keep an eye on your time and cost so that you can prepare a reproducible mixture day in and day out.

→ Mixing time

→ Mixing auger speed

→ Number of mixing auger revolutions

MADE ESPECIALLY FOR ME.

YOUR SELECTION OPTIONS



V-CONNECT Mixer Control



[PATENTED DISCHARGE SYSTEMS]

WITH A LARGE VARI

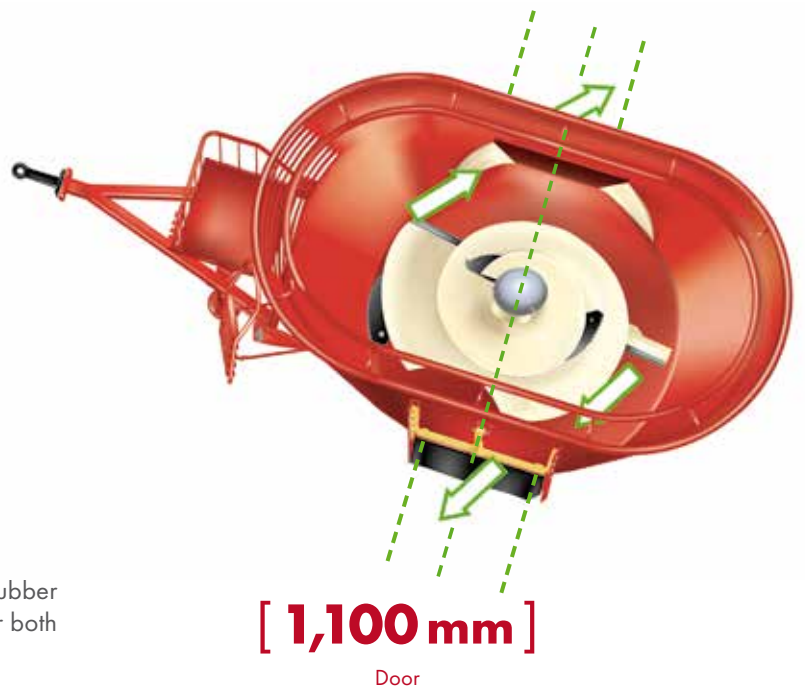
Uniform distribution

Let justice reign at the feed table. To ensure that all animals will receive their fair share of the feed you can opt to equip our mixer wagons with the patented system (Exact Dosing System). This is because the EDS provides for an extremely consistent discharge – even with a conveyor belt. The side doors are arranged in a v-shape, positioning them asymmetrically to the center of the mixer. Coming out at the widest point on the side of the mixer, the feed is deposited in a loose swathe, keeping it from being driven over.

When dosing the quantity being discharged, the patented rubber bellows on the EDS door minimize the risk of injury for both people and animals.

Boasting a width of 1,100 mm, the doors we offer come in a size that is second to none, ensuring that your feed will always be discharged with no blockage and in a large swathe.

It is possible to arrange the EDS doors all around the mixer. Another option we offer besides the EDS doors is to install cross conveyors at the front and even the rear of the mixer wagon – depending on the arrangement you require. The equipment options available for the individual doors are manifold.



[1,100 mm]

Door

Comprehensive equipment options

The doors can be paired with a large variety of optional accessories such as feeding chutes that pivot up or down, rubber lips or side elevators that measure between 600 and 2,250 mm and extend the discharge range of the doors. Depending on your use case, you may also find that the spring-supported fiber door or the "HARDOX" cutting edge are useful complements to your door.

OUR DISCHARGE OPTIONS



FRONT CROSS CONVEYOR



REAR CROSS CONVEYOR



EDS DISCHARGE AT THE REAR IN THE CORNERS



EDS DISCHARGE AT THE CENTER REAR



SIDE ELEVATOR



ELEVATOR AT THE CENTER REAR



HYDRAULIC UP TO DOWN CHUTE



HYDRAULIC DOWN TO UP CHUTE

YOUR SELECTION OPTIONS



- | | | | |
|---|--|---|---|
| <input type="checkbox"/> Front cross conveyor | <input type="checkbox"/> Rear cross conveyor | <input type="checkbox"/> EDS discharge at the rear in the corners | <input type="checkbox"/> EDS discharge at the center rear |
| <input type="checkbox"/> Side elevator | <input type="checkbox"/> Elevator at center rear | <input type="checkbox"/> Hydraulic up to down chute | <input type="checkbox"/> Hydraulic down to up chute |
| <input type="checkbox"/> Fiber door | <input type="checkbox"/> Mechanical down to up chute | <input type="checkbox"/> Rubber lip | <input type="checkbox"/> "HARDOX" cutting edge |



[CHASSIS]

THE SOLID FOUNDATION FOR YOUR MIXER WAGON

Rugged frame construction

All mixer wagons are mounted on a separate chassis. This design allows the chassis to absorb the forces emitted from the ground, keeping them from being directly transmitted to the mixing vessel.



AXLE SYSTEMS

- Single axle
 - 12 t spring single axle system
 - 16 t spring tandem axle system
 - 24 t spring tandem axle system with or without trailing axle
- 24 t spring tandem axle system with positive steering
 - 30 t spring tridem axle system with trailing axles
 - 30 t spring tridem axle system with positive steering
 - 30 t pendulum tandem axle system
 - 36 t spring tridem axle system with trailing axles
 - 36 t spring tridem axle system with positive steering

The mixing vessel incorporated in the V-MIX Plus and the Giant series is held in place by 4 to 6 load cells. This arrangement ensures that the load cells on these chassis deliver weight measurements with extreme accuracy and that they are subjected to a uniform load in cases where the terrain is not exactly even. As the mixing vessel is mounted on a separate chassis, it is also possible to use a back-up battery to take precise measurements when the wagon is unhitched.

To meet your specific requirements, we can equip the chassis with a variety of axle systems.

YOUR APPLICATION


 Farmyard travel

 Road travel 25 km/h

 Road travel 40 km/h



RAISED ANTI-SPILL RING

[ANTI-SPILL RING AND ATTACHMENTS]

THE RIGHT FINISHING PIECE FOR EVERYONE



Content is everything

The V-MIX Plus comes standard with a welded-on anti-spill ring. This double-tubular construction keeps the feed from spilling over the edge of the hopper while being broken up and mixed. It further lends enormous stability to the mixing hopper. The anti-spill ring is also available in a raised version to create even more space for opening bales and for long-fiber material. Customers who prefer a more flexible anti-spill ring can opt for BvL's Vario ring. This patented anti-spill ring is suspended from chains. It "floats" on top of the mixed material and, among other things, keeps round bales from becoming jammed between mixing auger and anti-spill ring while they are being opened.

Vario volume ring for improved flexibility

To flexibly increase the hopper volume by approx. 30 cm, all mixer wagons with one or two mixing augers can be equipped with the Vario volume ring. This add-on offers a clever way to temporarily increase the height of the mixer wagon hopper, which is especially useful for keeping straw from spilling over when opening bales. Once the straw has been chopped, the edge of the hopper can be lowered again to restore the original overall height of the mixer.



ANTI-SPILL RING



VARIO RING



RUBBER ATTACHMENT



VARIO VOLUME

YOUR SELECTION OPTIONS



Raised anti-spill ring

Anti-spill ring

Vario ring

Rubber attachment

Vario volume

More information on the Vario volume:



[REDUCTION GEARBOX]

REDUCED STRAIN ON THE DRIVE AND SMOOTH MIXING



Matching drive

We offer different reduction gears in a bid to match the different sizes of the mixer wagons and the power of your tractor. They are operated by hand lever, Bowden cable or hydraulic power – depending on your personal preference. Heavy Duty and Powershift gearboxes top off this product selection for particularly demanding applications.



BvL's Powershift gearbox is a powershift transmission with an integral hydraulic clutch. This gearbox allows you to start up the mixer wagon in low gear and rev up to full mixing speed under load. This reduces the power required significantly – especially during startup – and eases the load on the entire drive train – from the tractor to the mixing auger –

to a tremendous degree. This gearbox is a particularly useful and economical addition to your V-MIX Plus mixer wagon if you need to mix large quantities of feed. The gearbox comes standard with all mixer wagons included in the V-MIX Giant series.

YOUR SELECTION OPTIONS



2-speed reduction gearbox i = 1.3

Powershift reduction gearbox

2-speed reduction gearbox i = 1.8

2-speed HD reduction gearbox i = 1.8

Hand lever shifting

Bowden cable shifting

Hydraulic shifting

[STAINLESS STEEL LINING]

FOR THE HIGHEST STANDARDS



For applications that are particularly demanding, we can also supply your mixer wagons with an all-around lining made of high-quality stainless steel V2A (1.4301). Offering exceptional resistance to acid and wear, this non-corrosive chrome-nickel steel provides outstanding protection when processing highly acidic feed components. Chrome makes the steel resistant to wear, while nickel adds corrosion resistance.

Depending on your requirements, you can choose to add this lining both as a Basic version (H = 300 mm; t = 2 mm) and as a Professional version (H = 750 mm; t = 3 mm). To satisfy even greater requirements, we can also implement V2A hard surfacing of the mixing auger.



YOUR SELECTION OPTIONS



V2A lining Basic (H = 300 mm)

V2A lining Professional (H = 750 mm)



[STRAW BLOWER]

FEEDING, MIXING AND BEDDING WITH JUST ONE MACHINE



Convenient in every way

Our straw blower V-COMFORT Turbo can be mounted at the front or the rear of almost any mixer wagon. Assuring fast processing and spreading of the straw, the mixer wagon is ideally suited for bedding tasks that need to be completed in the barn every day. Operating with the one-of-a-kind air flow principle, our straw blower provides for powerful ejection of the straw. The turbine wheel creates suction, pulling the straw directly into the blower before ejecting it with great force via the throwing blades. Patented by BvL, the straw bell, the drive and the mounting of the straw blower are guaranteed to deliver the performance characteristics listed below:

- Excellent performance thanks to the direct, no-belt flux of force of the drive train
- Throw distance up to 30 m
- Up to 320 kg of straw per minute
- Blanket or targeted spreading, depending on requirements
- High level of process reliability and continuous ejection
- Integrated stone trap for improved safety



OUR OPTIONS



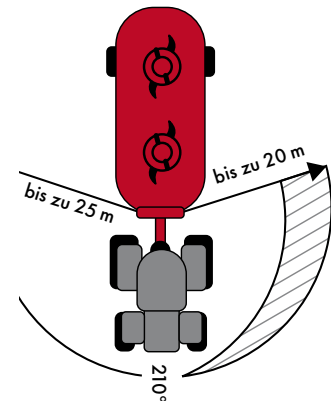
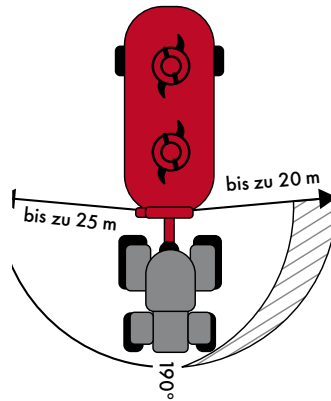
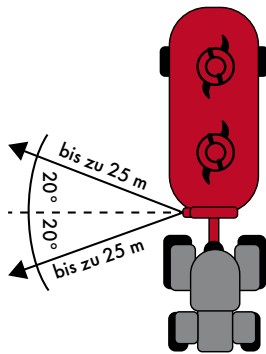
DIRECT EJECTOR Direct and simple ejection for a long throw distance.



ROTATING, FOLDING TOWER Compact rotating ejector for flexible throwing on all sides.



ROTATING, RIGID TOWER Tall rotating ejector for a long throw distance and spreading directly behind the feed fence.



YOUR SELECTION OPTIONS

Direct ejector

Rotating, folding tower

Rotating, rigid tower

COMFORT FOR YOUR ANIMAL



© AdobeStock - Lukas Güntler

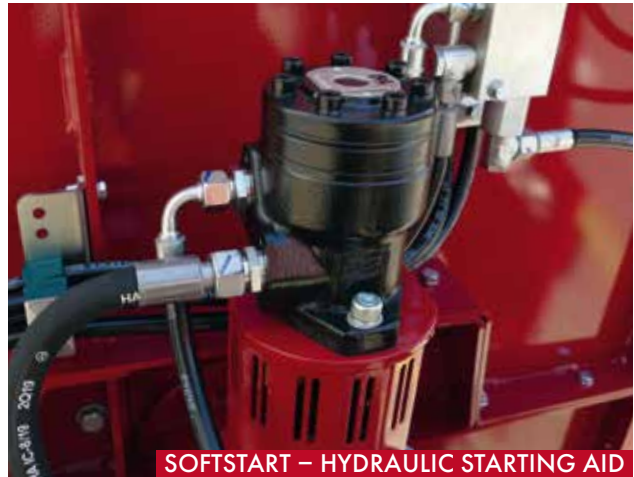
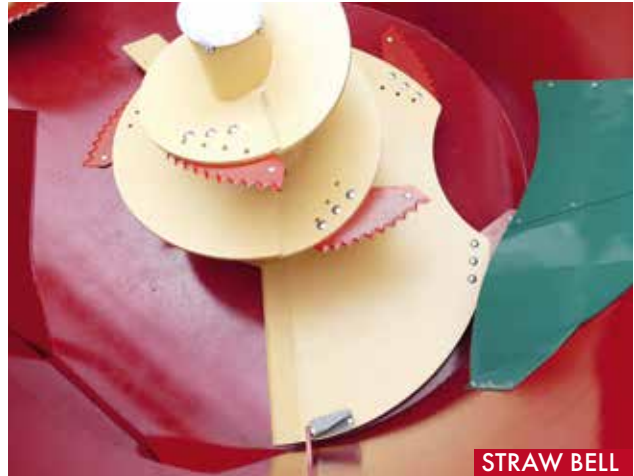
Improved animal comfort and enhanced animal performance hinge not least on the best possible bedding you can provide them. A cow enjoys lying down for extended periods if the lying surface offers the appropriate comfort. The greater its lying comfort, the better the conditions for the cow to produce milk. Choosing the right bedding implements is thus of paramount importance when it comes to reducing your daily workload and putting your business on the right track for the future.

Delivering an enormous amount of power, the BvL straw blower ensures that your straw will always be ejected continuously. Thanks to the targeted spreading with the straw blower, the bedding material is guaranteed to be distributed evenly across the surface. Affording you savings in bedding material of over 20%, this solution is exceptionally resource-efficient.



Additional information:

OUR EQUIPMENT OPTIONS



Water spraying unit for binding dust

Pairing the straw blower with a mixer wagon lets the user add water to the straw while the bales are being broken up. As the dust contained in the straw binds with water, the formation of dust is almost eliminated completely during spreading.

The stone trap extra for extra safety

The integrated stone trap provides additional protection of people, animals and equipment. Rocks and other materials falling out of the straw are caught and collected in the container.

Straw bell for an unhindered material flow

The straw bell integrated into the mixing hopper, combined with the asymmetrically arranged discharge opening for the straw blower, ensures an optimal flow of material. The straw is fed in a way that is controlled, continuous and process-reliable.

Softstart – hydraulic starting aid

To ensure the machine starts up gently, the straw blower is equipped with a hydraulic starting aid. The hydraulic motor is set into motion and accelerated by the impeller before the tractor's PTO shaft is switched on.

YOUR SELECTION OPTIONS



Water spraying unit

Straw bell

Stone trap

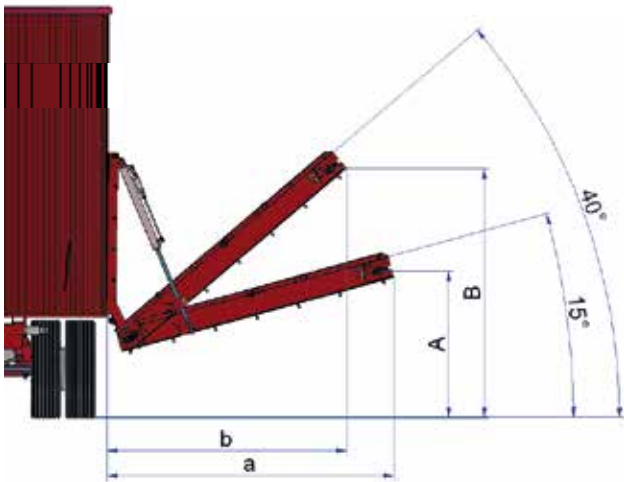
Softstart – hydraulic starting aid

[CROSS CONVEYOR AND ELEVATOR]

ROBUST AND LONG-LASTING CONVEYOR EQUIPMENT



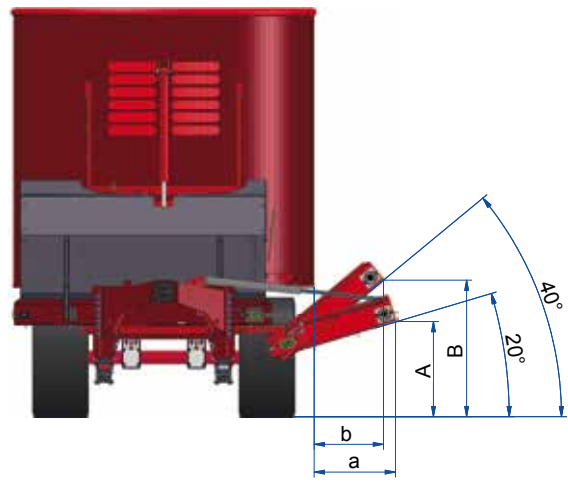
TECHNICAL INFORMATION – CONVEYOR EQUIPMENT



ANGLE FROM THE BELT TO THE GROUND

Discharge height* and working width of elevator	15°		40°	
	A	a	B	b
Conveyor belt length 600 mm	750	720	940	680
Conveyor belt length 1000 mm	850	1100	1190	980
Conveyor belt length 1250 mm	915	1350	1350	1175
Conveyor belt length 1500 mm	980	1585	1520	1365
Conveyor belt length 1800 mm	1060	1875	1710	1595
Conveyor belt length 2000 mm	1120	2070	1840	1840
Conveyor belt length 2250 mm	1180	2310	2000	1950

* The dimensions specified apply in combination with 215/75 R17.5 tires. The use of different tires will change the height dimension.



ANGLE FROM THE BELT TO THE GROUND

Discharge height* and working width of elevator	20°		40°	
	A	a	B	b
Conveyor belt length 800 mm	505	525	700	475
Conveyor belt length 1000 mm	570	715	830	630
Conveyor belt length 1250 mm	655	950	990	825
Conveyor belt length 1500 mm	740	1185	1150	1015
Conveyor belt length 1800 mm	840	1465	1340	1245
Conveyor belt length 2000 mm	910	1655	1465	1400



[V-CONNECT DAIRY FEEDER]

FEED MANAGEMENT WITH A SYSTEM

Digital solution for daily use

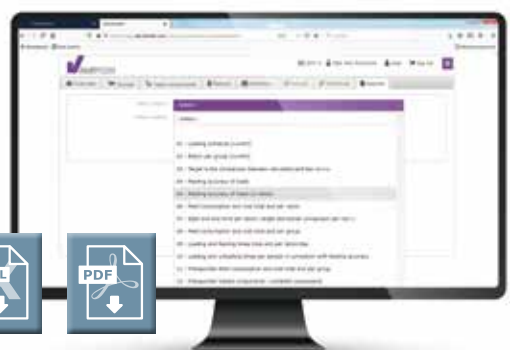
Our mobile feed management system V-CONNECT Dairy Feeder is your daily helper that will make your feeding process quick and easy. This solution can be combined with nearly every mixer wagon. All feeding data is stored long term in a database and in a way that is easy to comprehend, making it available to you whenever and wherever you are.

Our solution offers:

- Management of feed components and groups, recipe preparation
- Mixing time specification
- Comprehensive reports and evaluations (feeding accuracy, times, feed cost, FCE, IOFC, stock management etc.)
- Rights management for different users
- Interfaces with selected software
- Software updates, automatic synchronization, data storage and support
- and much more

[INTELLIGENT FEEDING]

[DATA MANAGEMENT]



Additional information:





Get to know the entire spectrum of BvL products:



Your BvL dealer



Bernard van Lengerich Maschinenfabrik GmbH & Co. KG
 Grenzstraße 16 · 48488 Emsbüren · Germany
 Tel.: +49 5903 / 951-0 ■ Fax: +49 5903 / 951-34
 Email: info@bvl-group.de
www.bvl-farmtechnology.com

a member of

 BvL GROUP